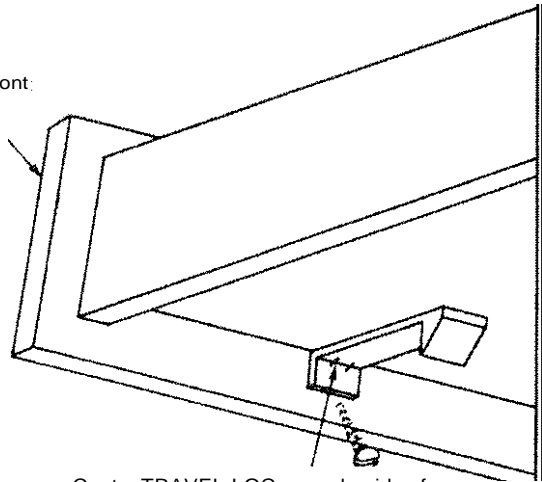
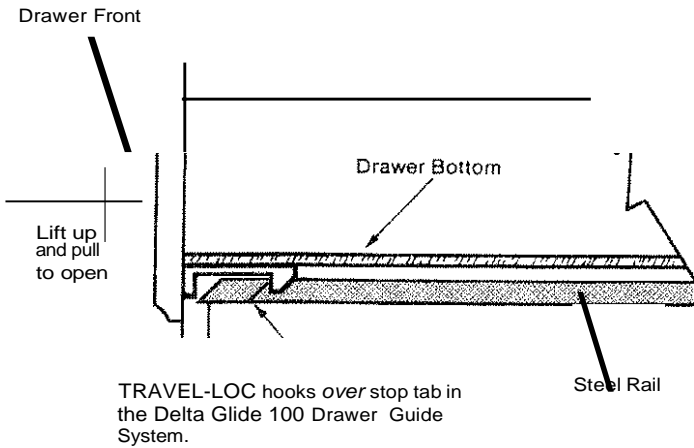


Drawer Front:



Center TRAVEL-LOC on underside of drawer, secure with staples or one 1/2" screw thru TRAVEL-LOC into drawer front.

A quick, positive closed drawer latch. A must for the travel trailer, recreational vehicle and marine installations.



TRAVEL-LOC hooks over stop tab in the Delta Glide 100 Drawer Guide System.

The **Delta Travel-Loc** can be incorporated with the **Delta Glide 100 Drawer Slide System**. The **Travel-Loc** eliminates the need for special cabinet construction or expensive latches.